

ANT S.r.l.

Via della Concordia, 4 – 37036
 S. Martino B/A (VR) - Italia
 Tel. +39 045 8781380
 Fax +39 045 8795335
 e-mail: commerciale@antsrl.eu
www.antsrl.eu

DESCRIPTION

**Dual-polarisation 4xMIMO directive antenna,
 in band 5G, frequency range
 3.4-3.6 GHz, 3.6-3.8 GHz, 4.5-4.7 GHz**



**Noto 3.5 GHz
 Noto 3.7 GHz
 Noto 4.6 GHz**

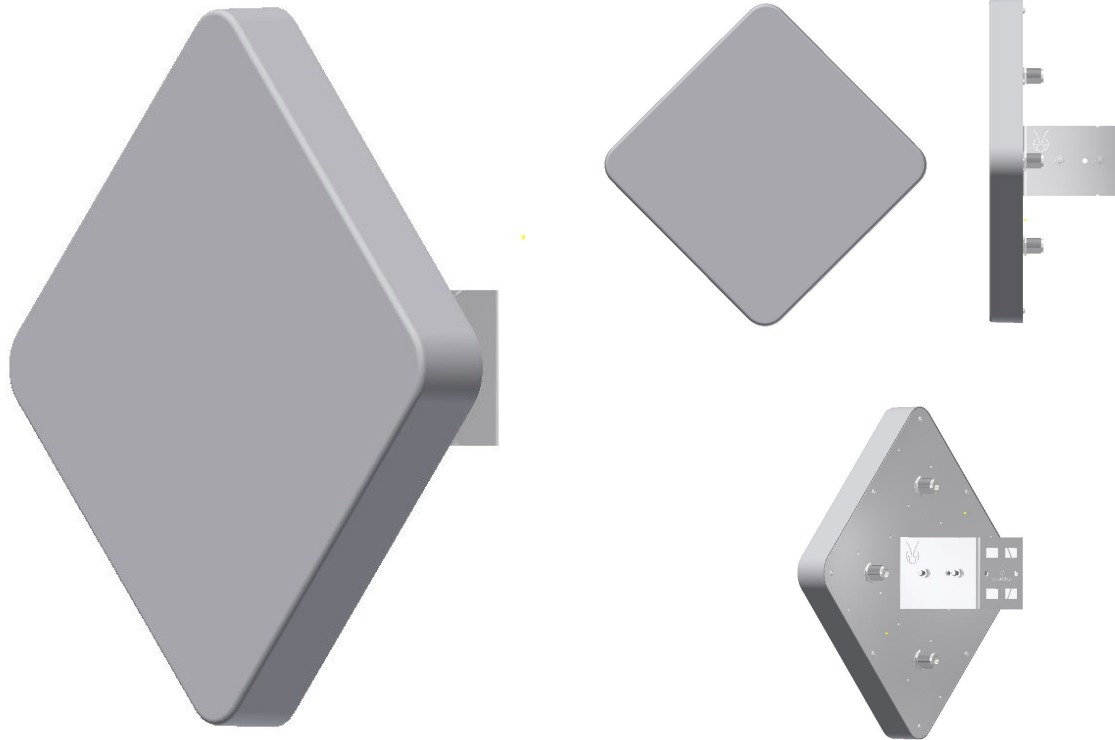
**P/N: P21-000
 P/N: P20-000
 P/N: P30-000**

ELECTRICAL DATA

Frequency range	
Noto 3.5 GHz:	3400-3600 MHz
Noto 3.7 GHz:	3600-3800 MHz
Noto 4.6 GHz:	4500-4700 MHz
Impedance:	50 Ω
V.S.W.R.:	2.0 : 1
Max Power:	2 W
Polarisation:	Linear H/V or Slant ±45°
Radiation:	See patterns
Gain:	about 14 dBi

MECHANICAL DATA

Dimensions (about):	250x250x30 mm
Connection:	4xN socket
Cable:	on request
Operating temperature range:	-30° / +80°C
Weight (about):	1.5 kg
Radiating element material:	Copper + gold-plating
Radome material:	ABS ASA RAL7035 gray



RoHS/2 Directive: The antenna complies with the RoHS/2 Directive

MOUNTING INSTRUCTIONS:**ON POLE**

- Please use the provided stainless steel bands

ON WALL

- Please fix through the provided bracket using 2 Fischer inserts

WARNING:

The antenna mounting allows a beam tilt of 0 to ± 30°

L'azienda produttrice si riserva di apportare modifiche e miglioramenti in qualsiasi momento senza obbligo di preavviso
 The manufacturer reserves the right to change or improve this documentation at all times and without notice.

ENG-Rev. 2

ANT S.r.l.

Via della Concordia, 4 – 37036
S. Martino B/A (VR) - Italia
Tel. +39 045 8781380
Fax +39 045 8795335
e-mail: commerciale@antsrl.eu
www.antsrl.eu

DESCRIPTION

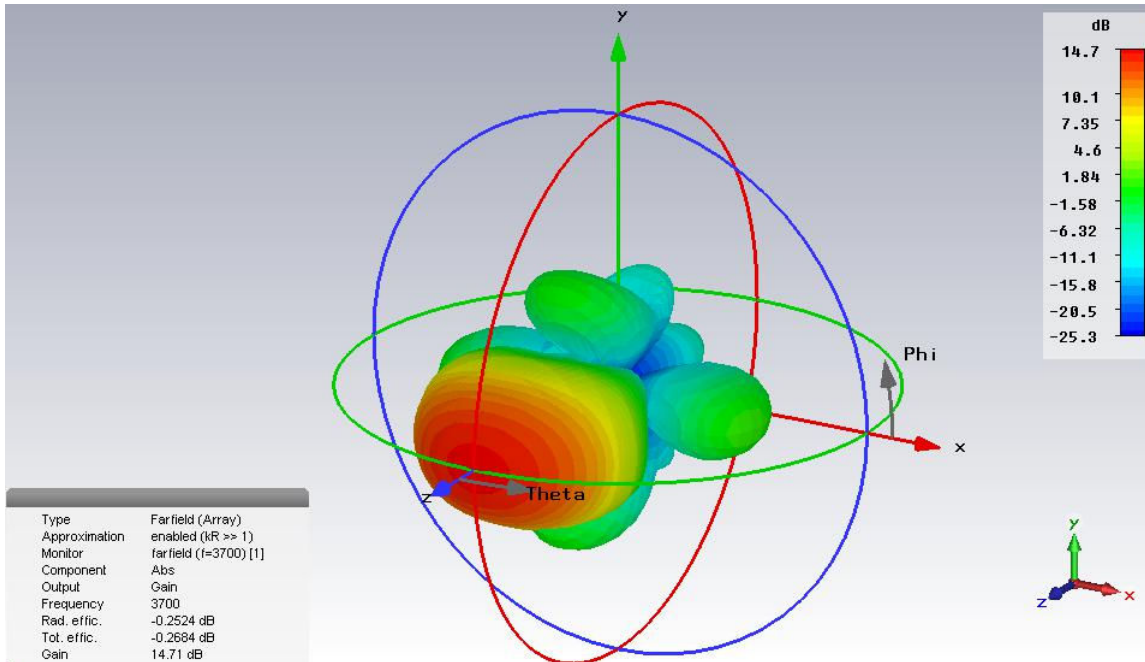
**Dual-polarisation 4xMIMO directive antenna,
in band 5G, frequency range
3.4-3.6 GHz, 3.6-3.8 GHz, 4.5-4.7 GHz**



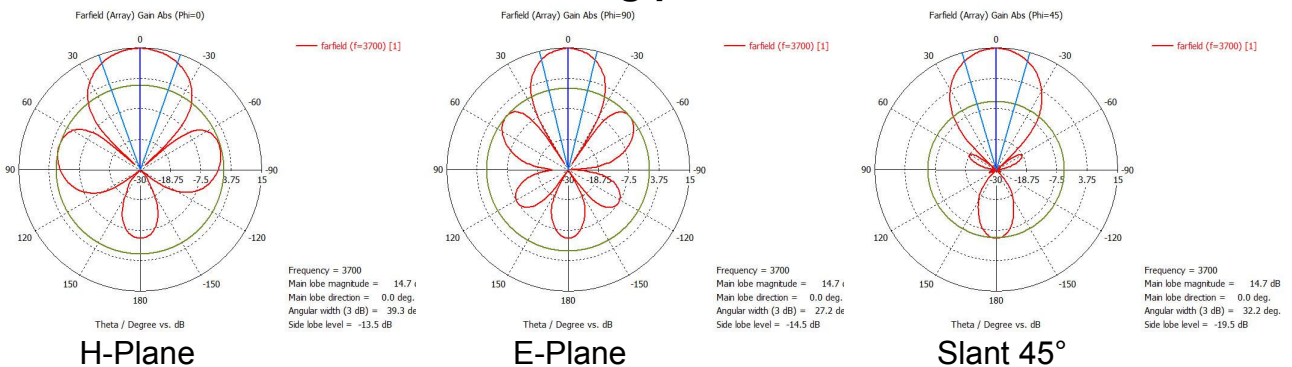
**Noto 3.5 GHz
Noto 3.7 GHz
Noto 4.6 GHz**

**P/N: P21-000
P/N: P20-000
P/N: P30-000**

3D radiating pattern



Radiating patterns



L'azienda produttrice si riserva di apportare modifiche e miglioramenti in qualsiasi momento senza obbligo di preavviso
The manufacturer reserves the right to change or improve this documentation at all times and without notice.

ANT S.r.l.

Via della Concordia, 4 – 37036
S. Martino B/A (VR) - Italia
Tel. +39 045 8781380
Fax +39 045 8795335
e-mail: commerciale@antsrl.eu
www.antsrl.eu

DESCRIPTION

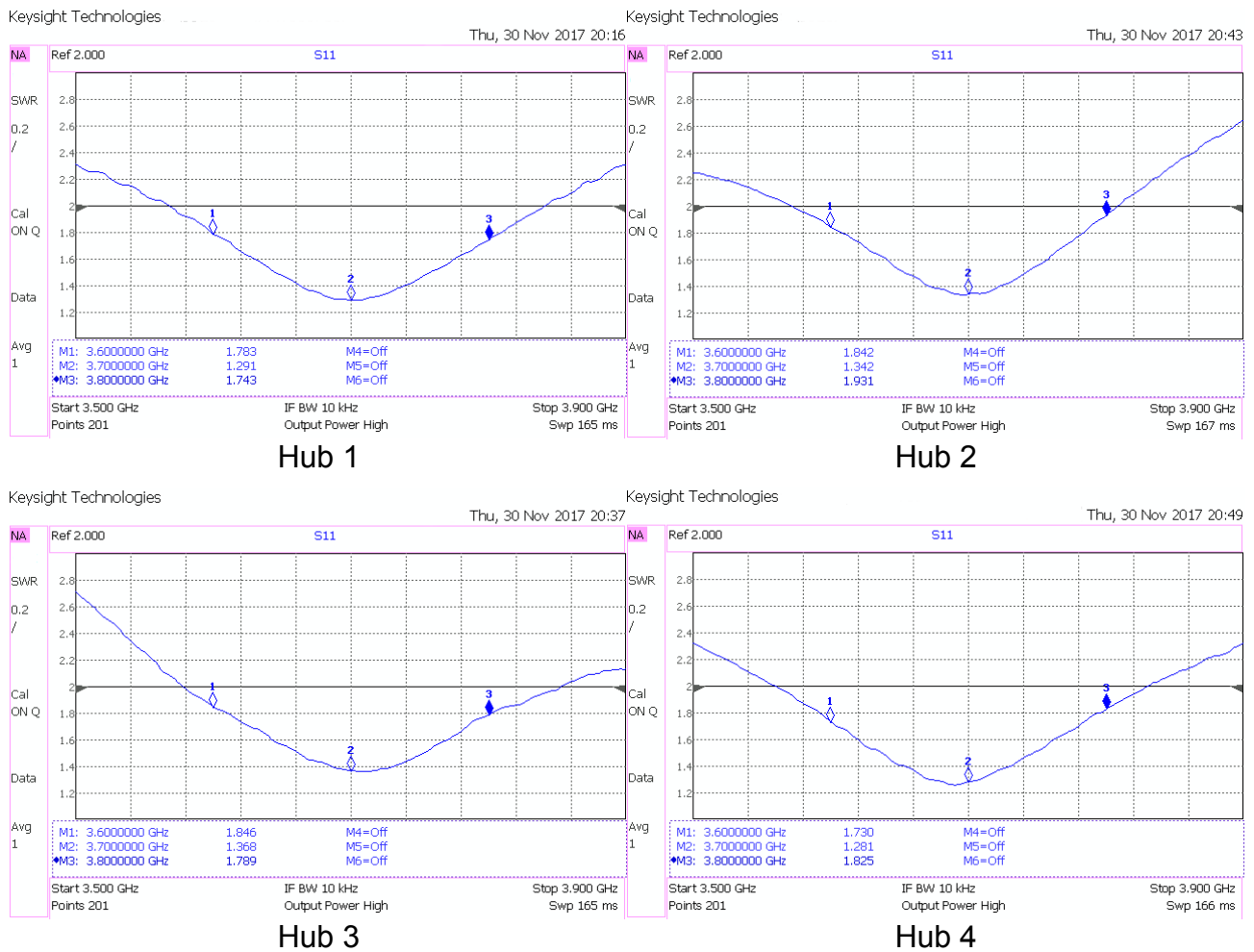
**Dual-polarisation 4xMIMO directive antenna,
in band 5G, frequency range
3.4-3.6 GHz, 3.6-3.8 GHz, 4.5-4.7 GHz**




Noto 3.5 GHz
Noto 3.7 GHz
Noto 4.6 GHz

P/N: P21-000
P/N: P20-000
P/N: P30-000

VSWR patterns



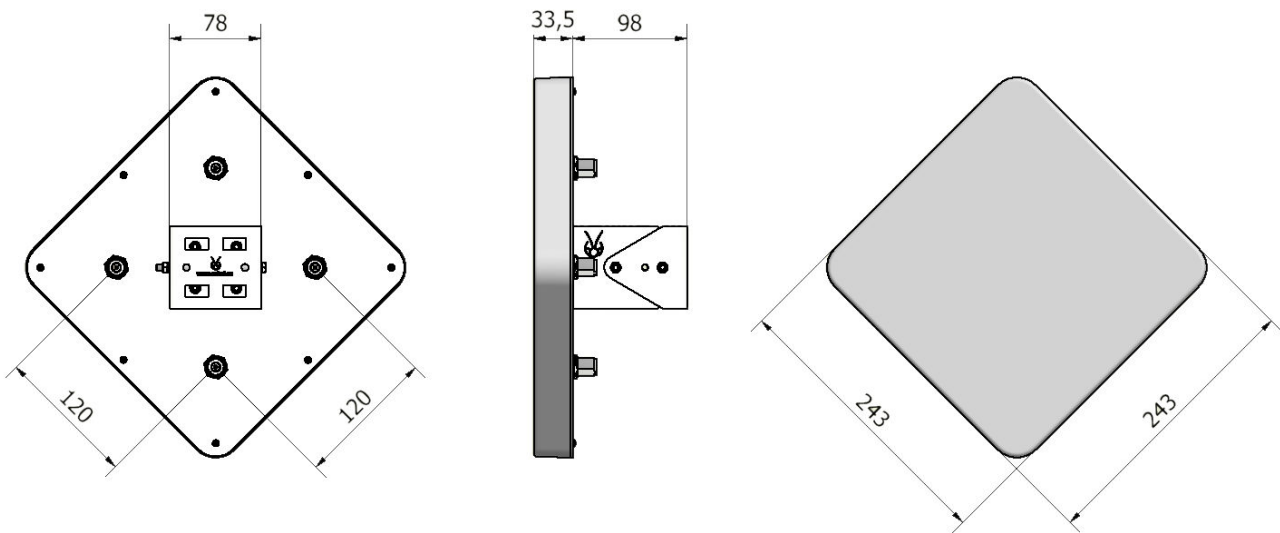
L'azienda produttrice si riserva di apportare modifiche e miglioramenti in qualsiasi momento senza obbligo di preavviso
The manufacturer reserves the right to change or improve this documentation at all times and without notice.

<p>ANT S.r.l. Via della Concordia, 4 – 37036 S. Martino B/A (VR) - Italia Tel. +39 045 8781380 Fax +39 045 8795335 e-mail: commerciale@antsrl.eu www.antsrl.eu</p>	<p style="text-align: center;">DESCRIPTION</p> <p style="text-align: center;">Dual-polarisation 4xMIMO directive antenna, in band 5G, frequency range 3.4-3.6 GHz, 3.6-3.8 GHz, 4.5-4.7 GHz</p>	
---	---	---

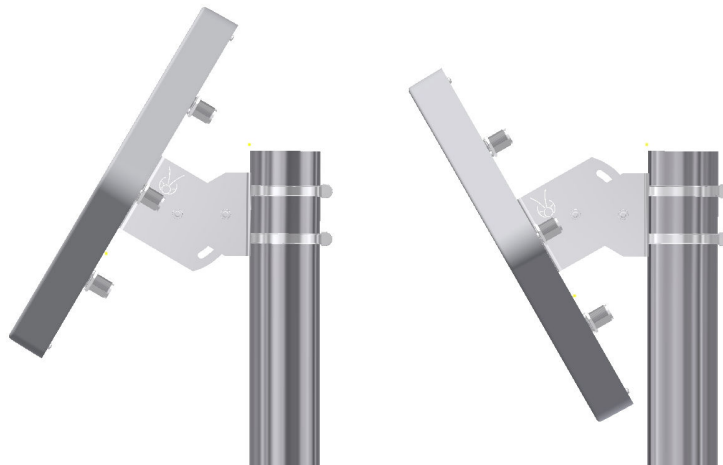
Noto 3.5 GHz
Noto 3.7 GHz
Noto 4.6 GHz

P/N: P21-000
P/N: P20-000
P/N: P30-000

APPROXIMATE DIMENSIONS



ADJUSTABLE BEAM TILT FROM 0° TO ±30°



ITS NAME:

*In Greek mythology **Noto** (Notus) is the embodiment of the Southern Wind, son of the Titan Astraeus and of Eos, goddess of dawn, and brother to Boreas, Apeliotes e Zephyrus.*

L'azienda produttrice si riserva di apportare modifiche e miglioramenti in qualsiasi momento senza obbligo di preavviso
The manufacturer reserves the right to change or improve this documentation at all times and without notice.